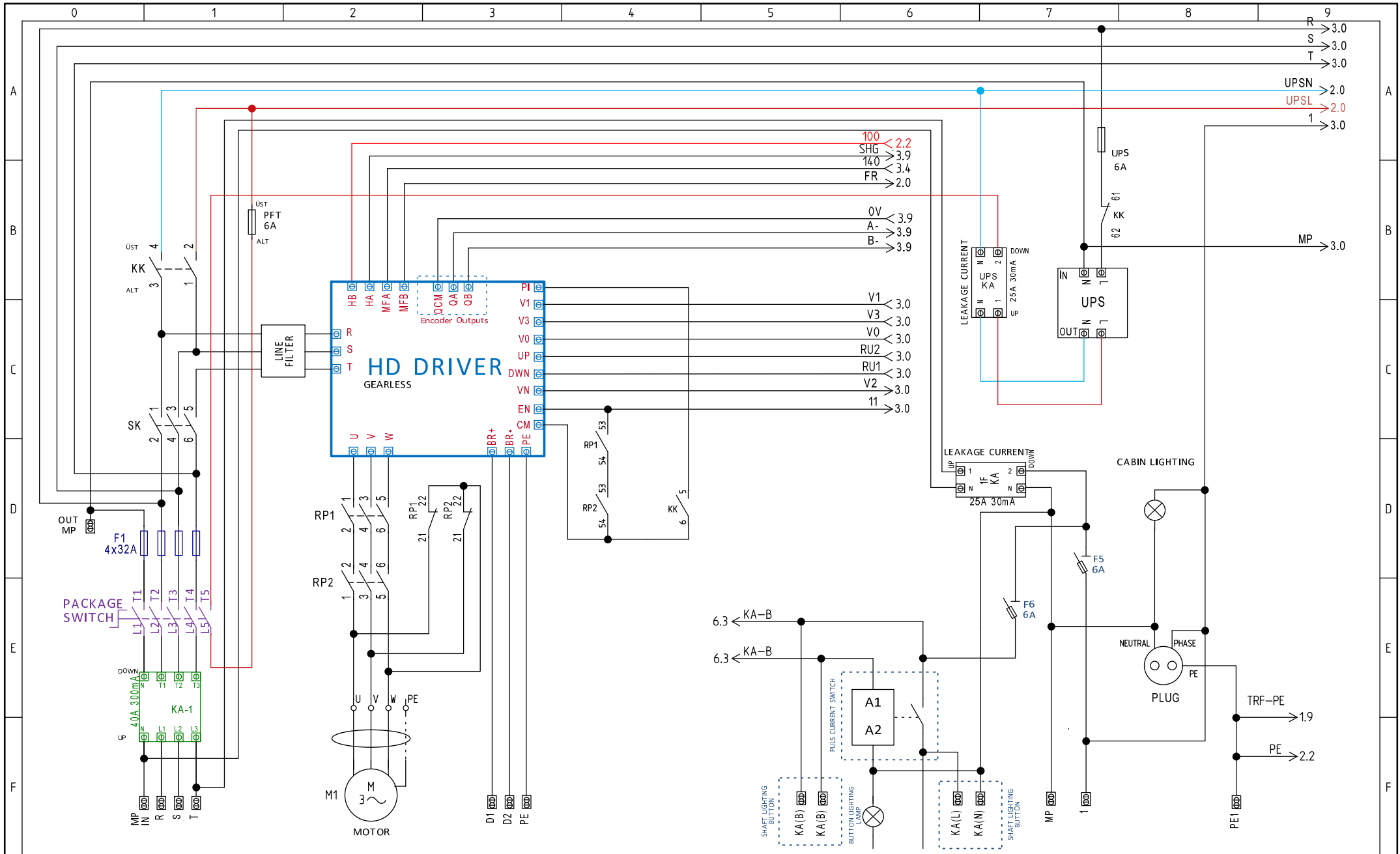
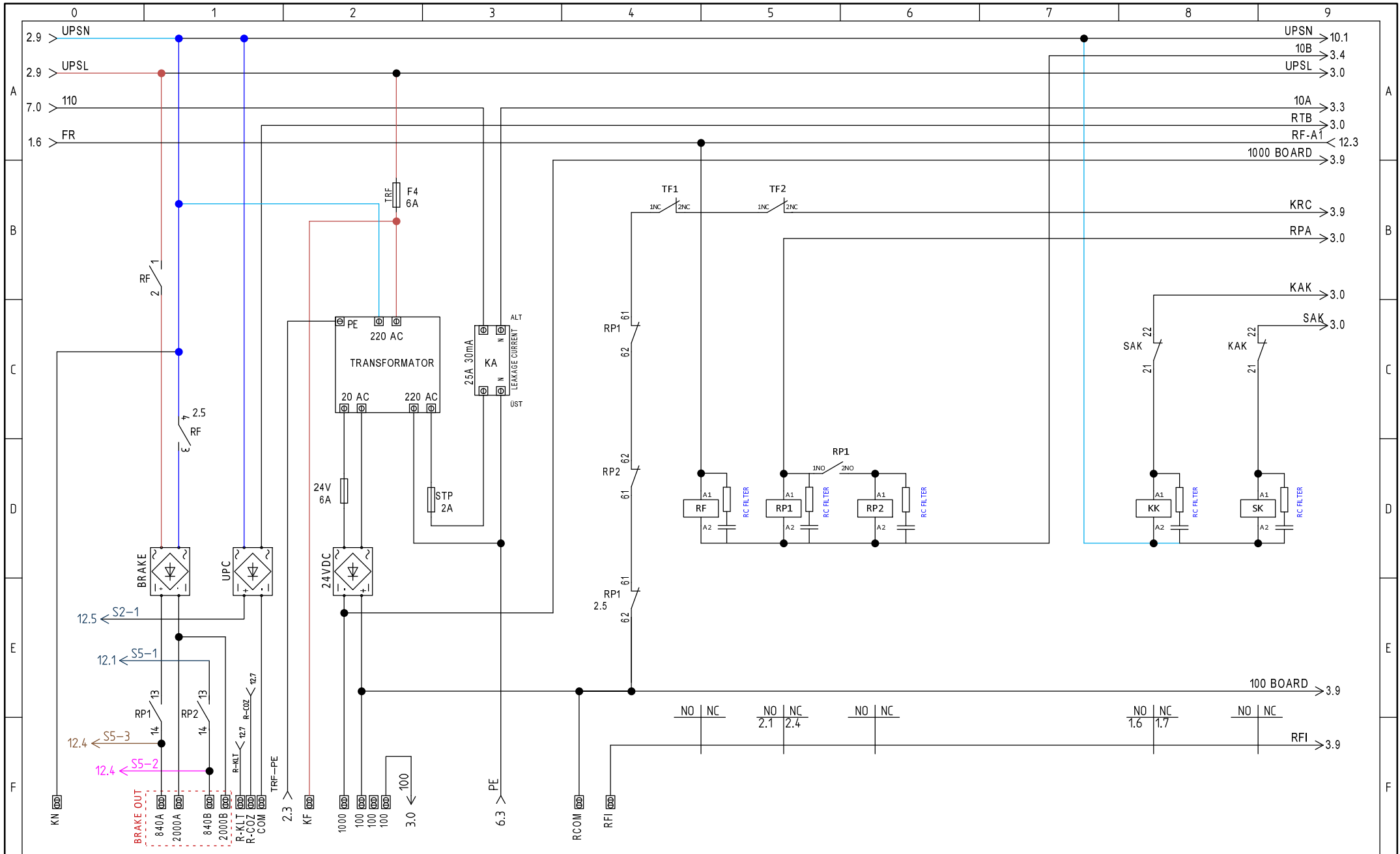
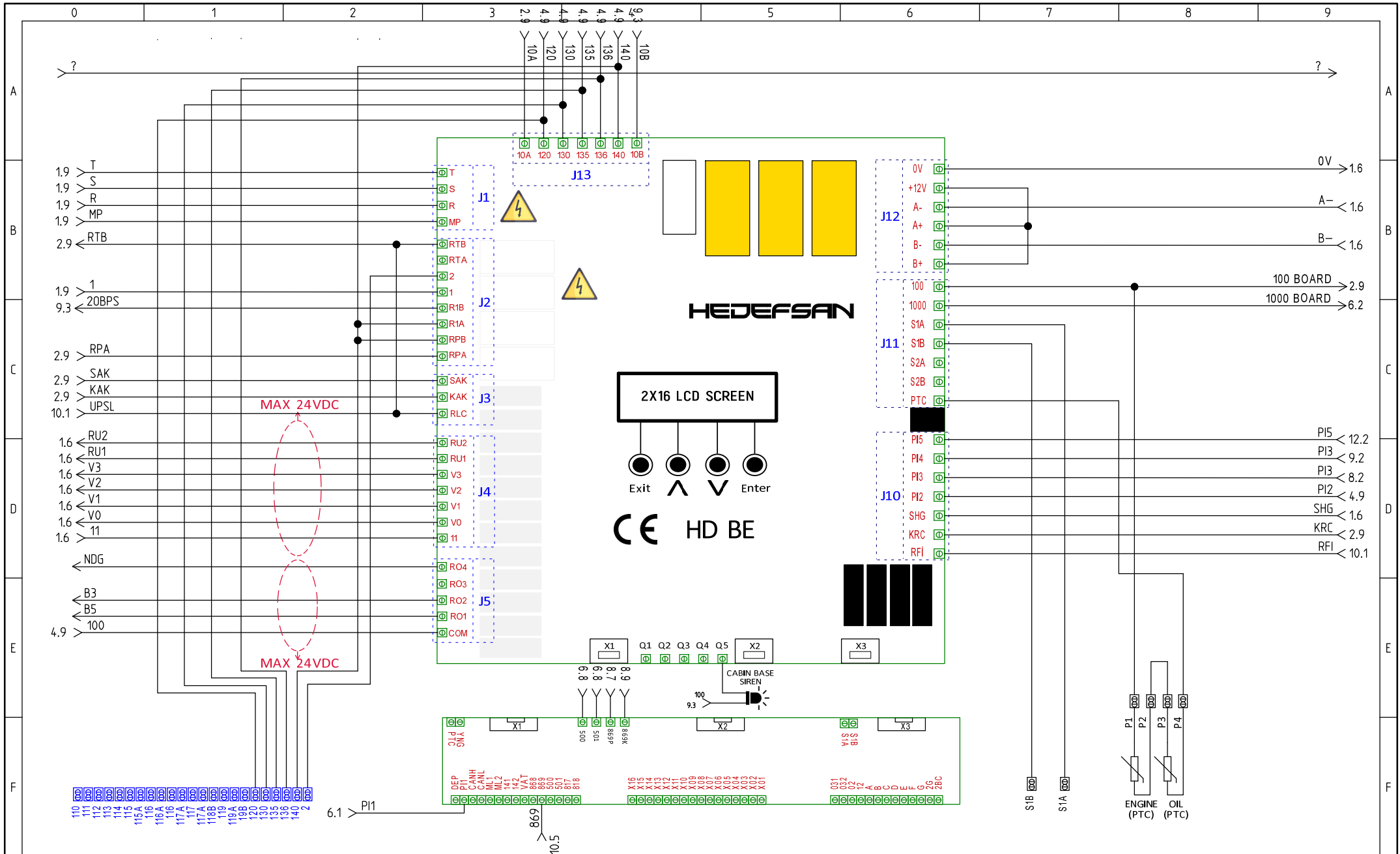


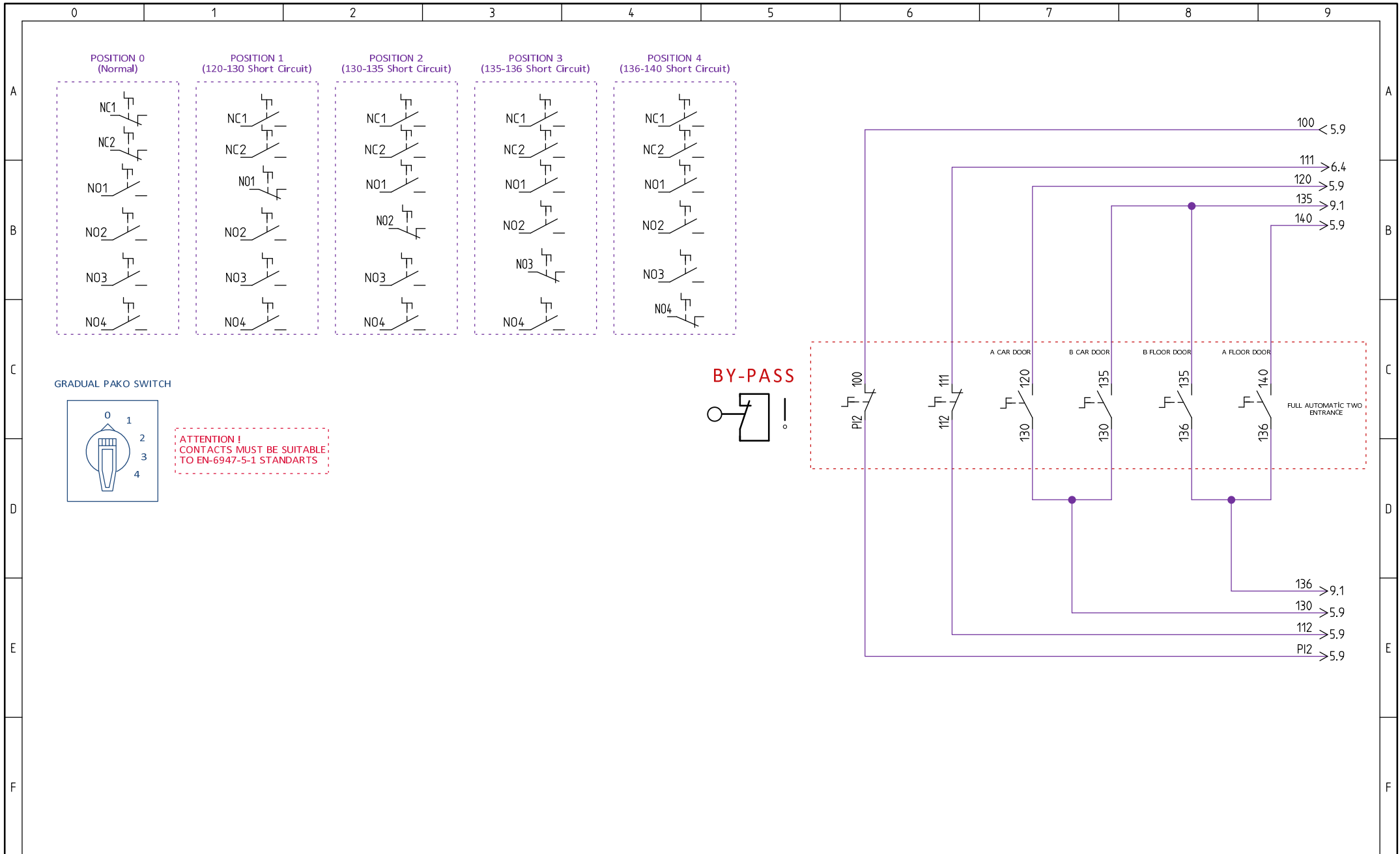
HEDEFSAN

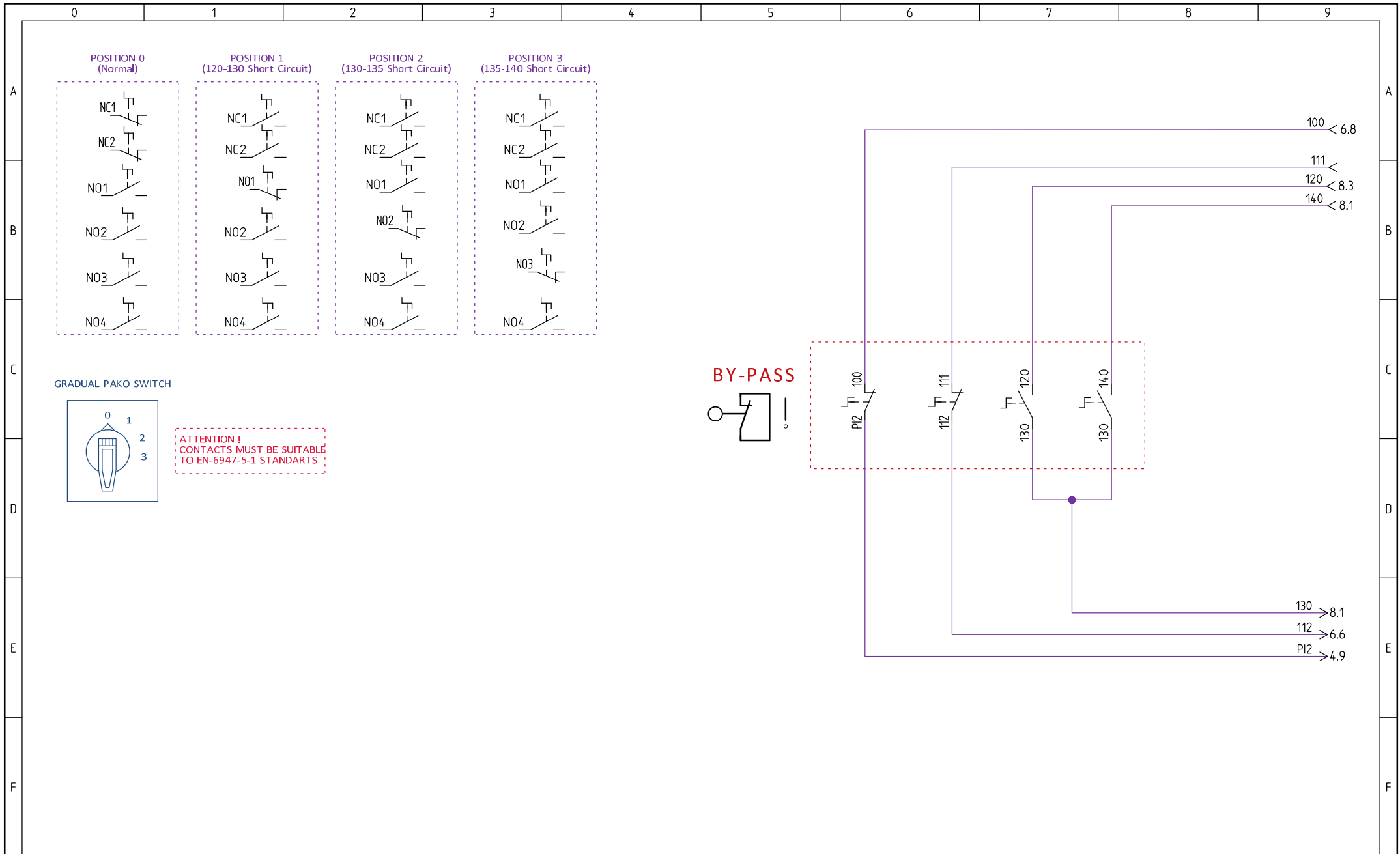
Project:	HD DRIVER GEARLESS & HD BE EN
Date:	26/04/2021
Version:	3.1
Draw:	Tayyip BARAN

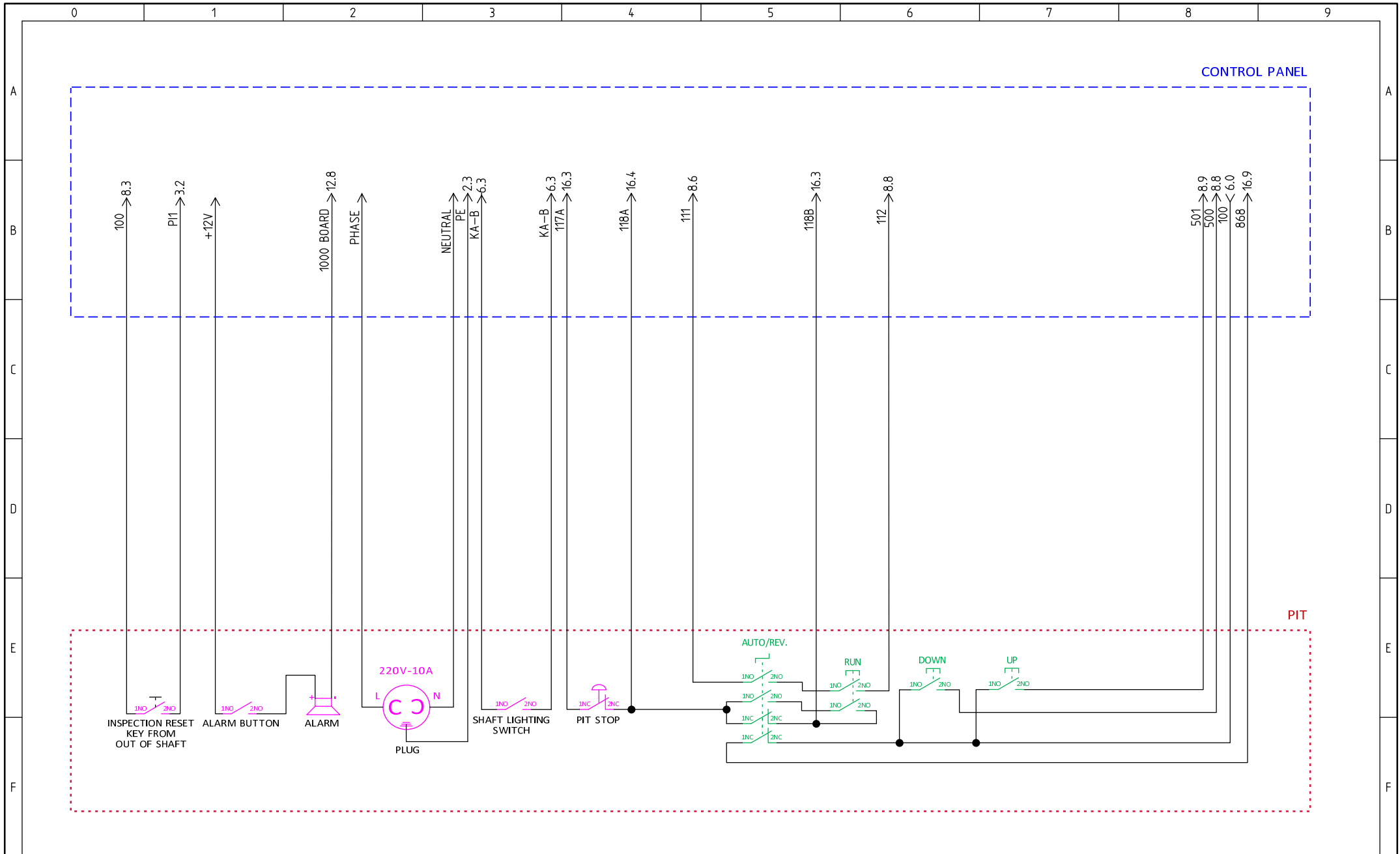




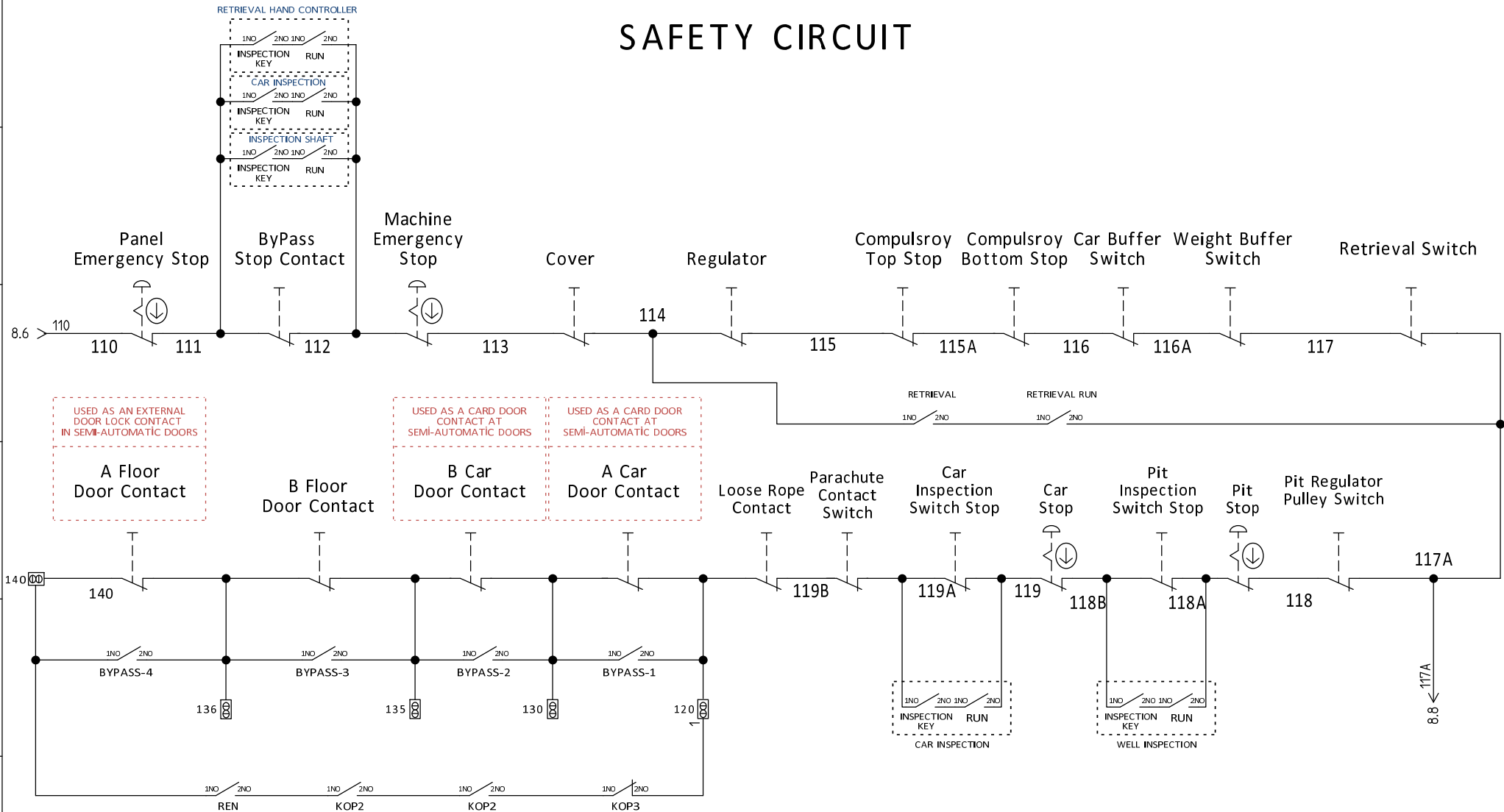


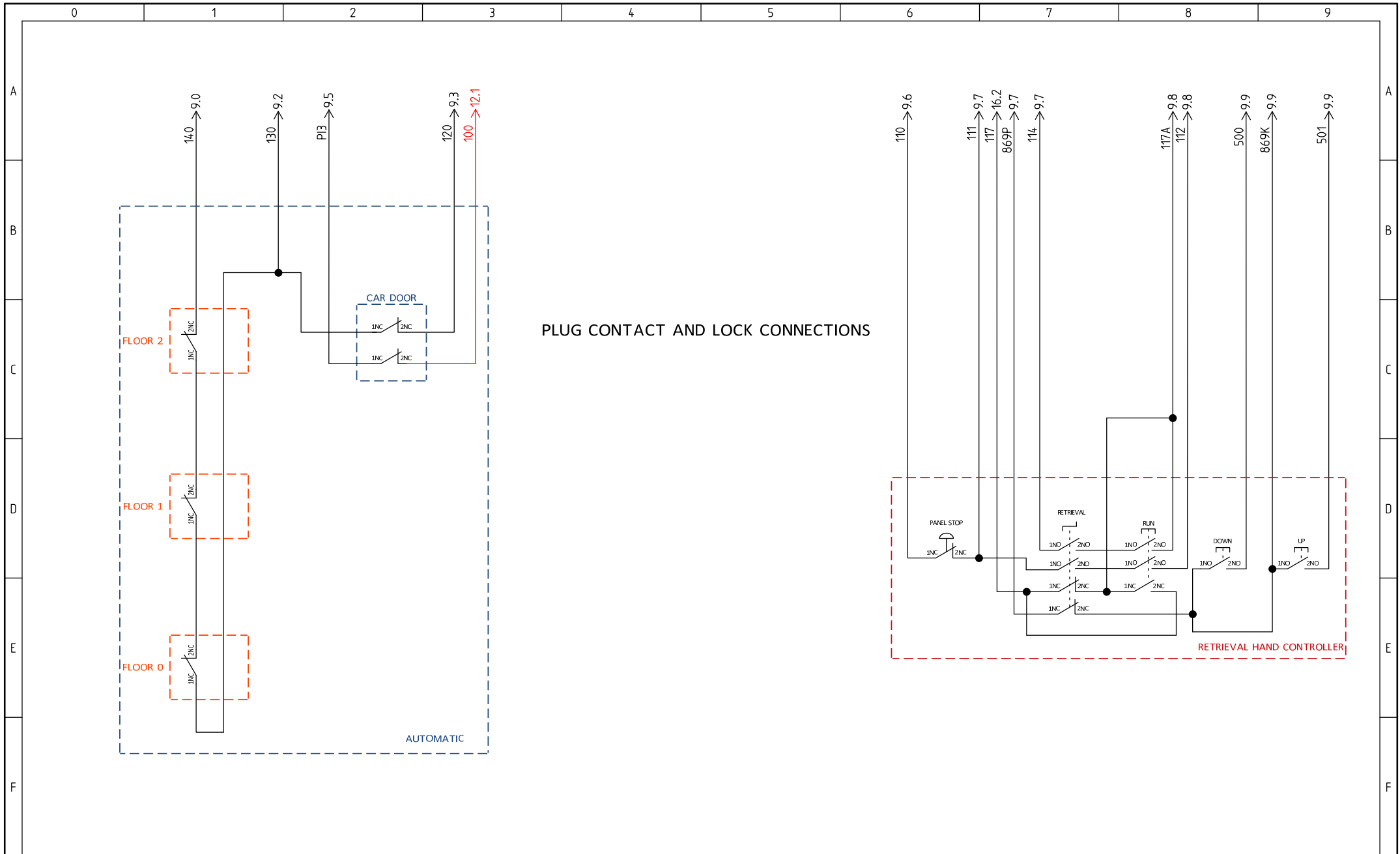




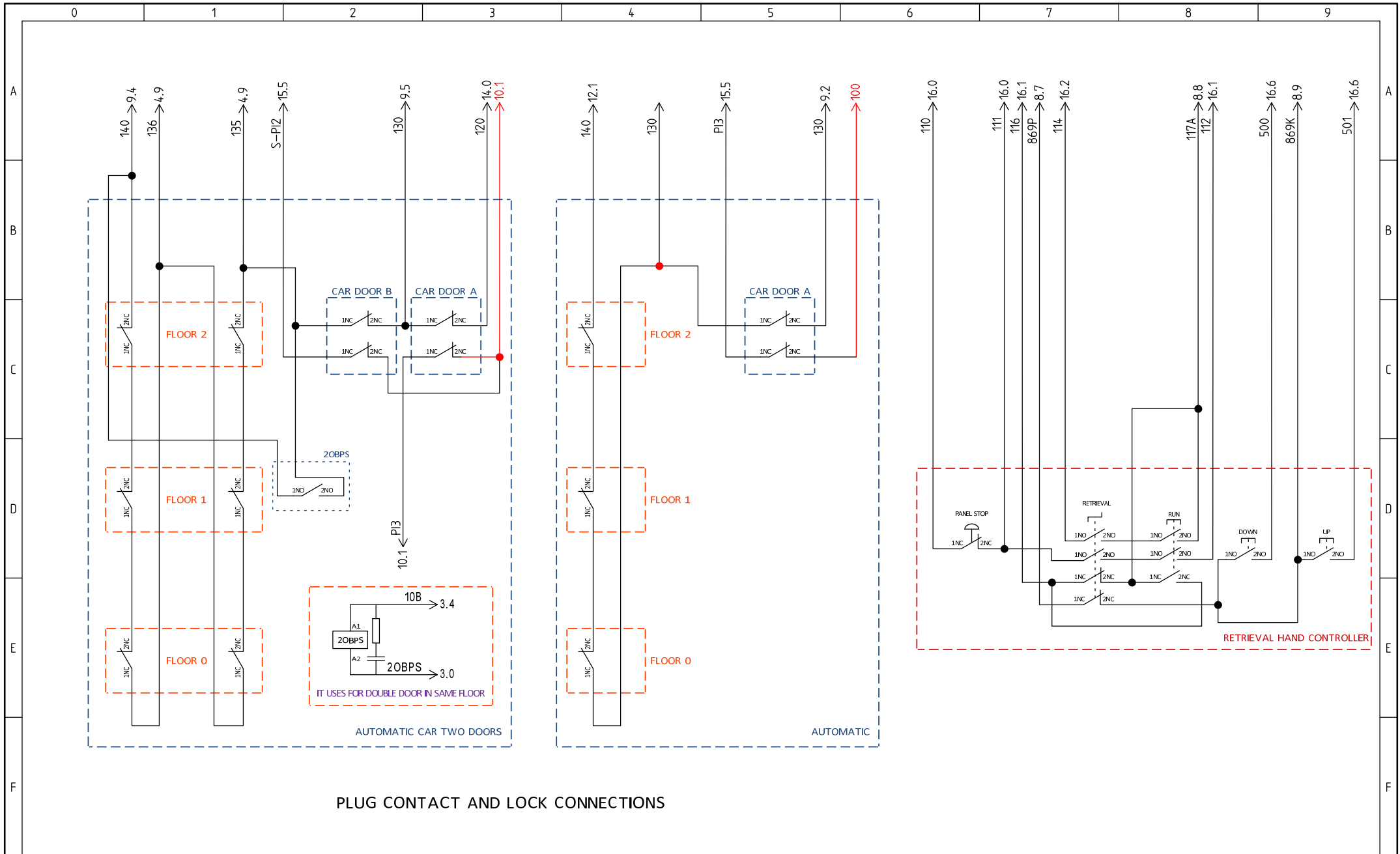


SAFETY CIRCUIT

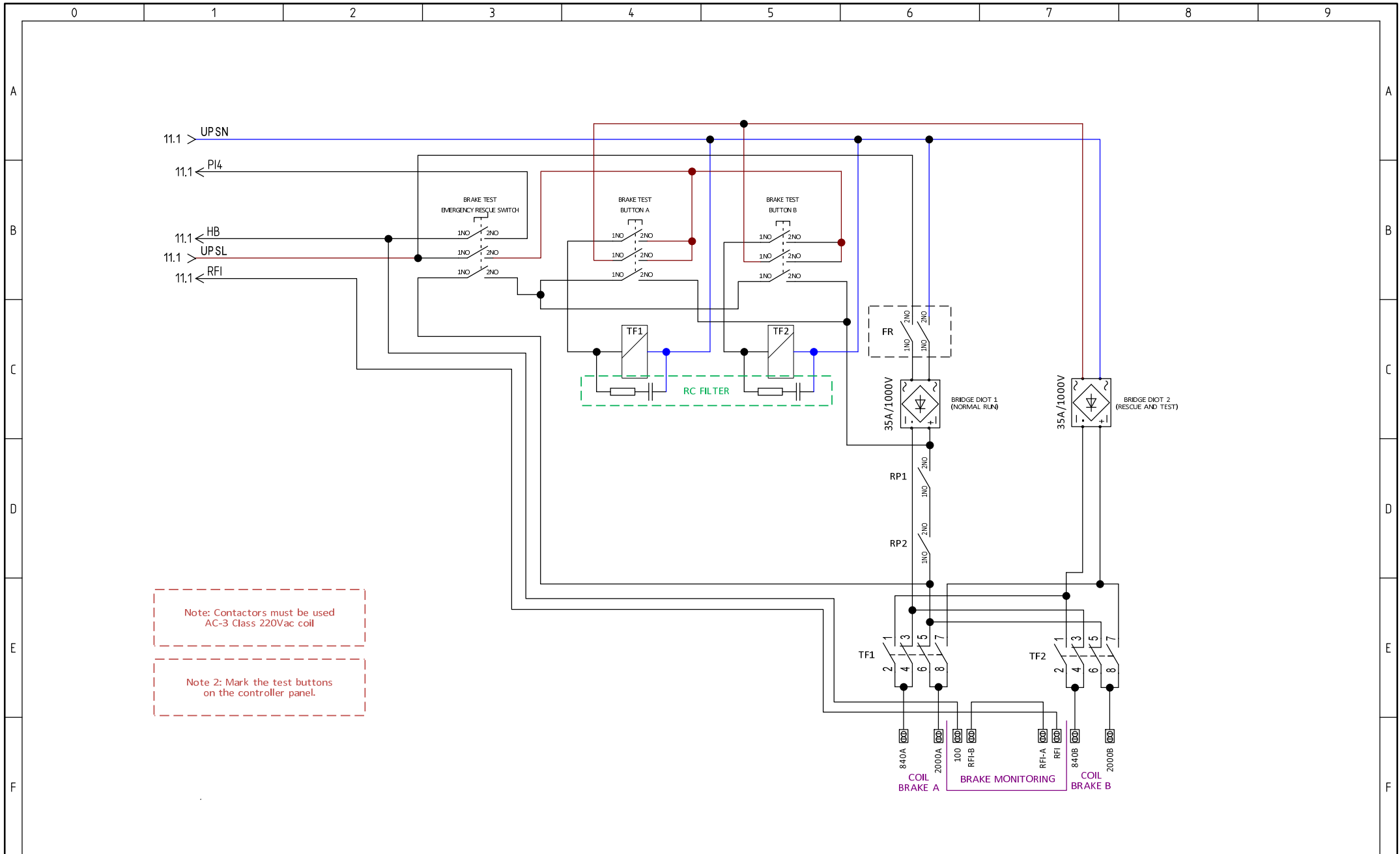


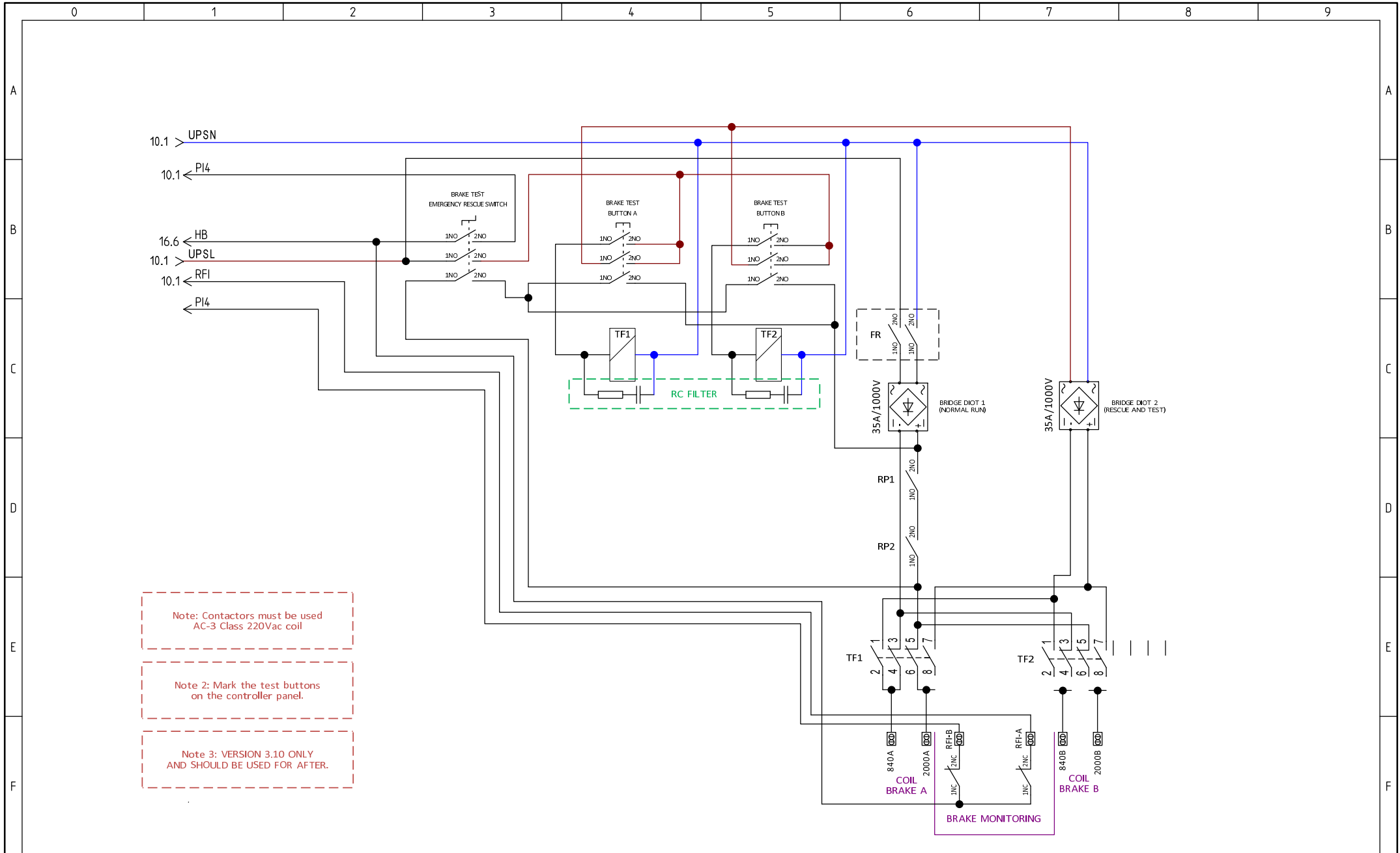


PLUG CONTACT AND LOCK CONNECTIONS



PLUG CONTACT AND LOCK CONNECTIONS

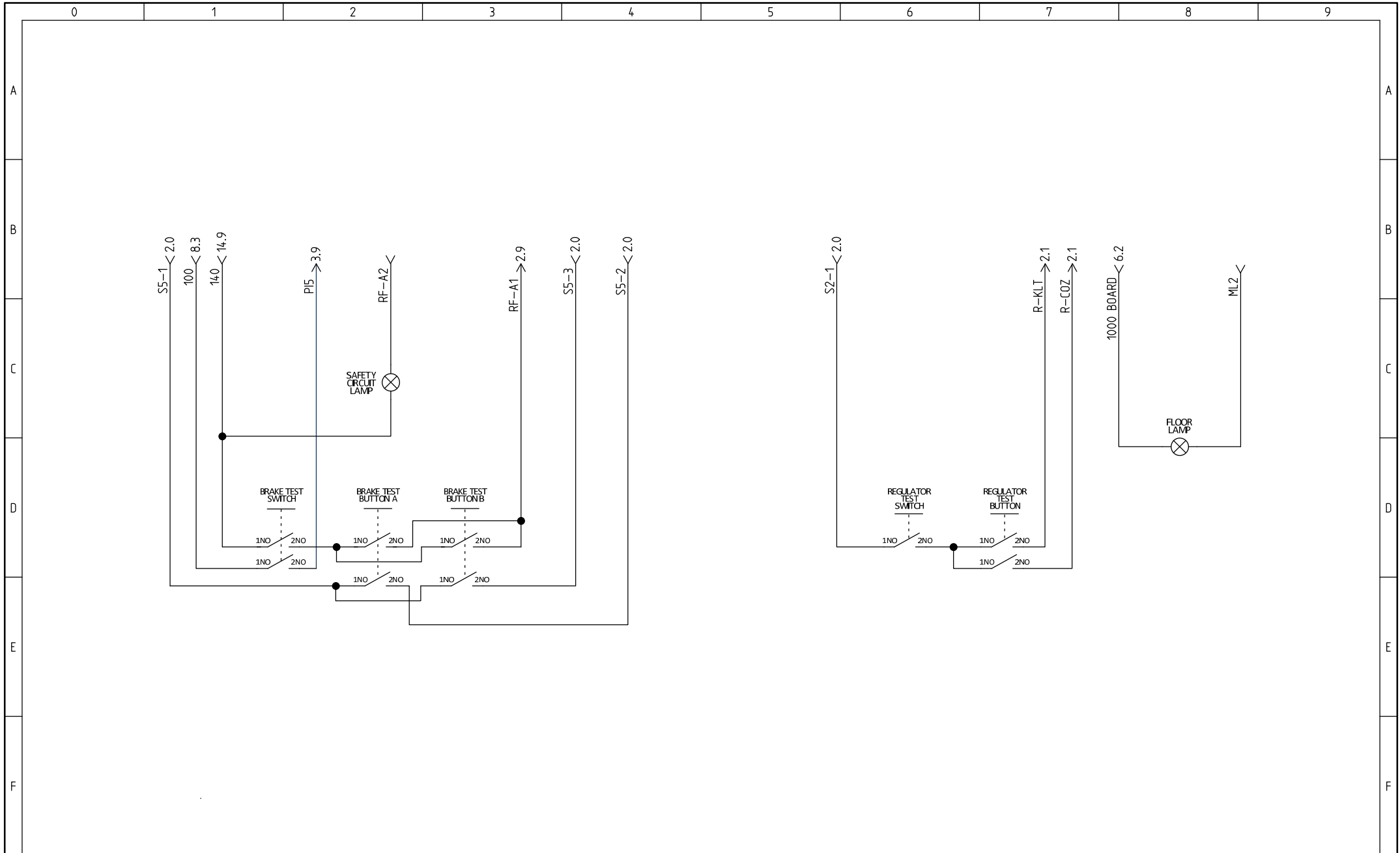




Note: Contactors must be used AC-3 Class 220Vac coil

Note 2: Mark the test buttons on the controller panel.

Note 3: VERSION 3.10 ONLY AND SHOULD BE USED FOR AFTER.



0 1 2 3 4 5 6 7 8 9

A

A

B

B

C

C

D

D

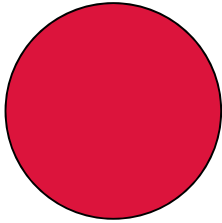
E

E

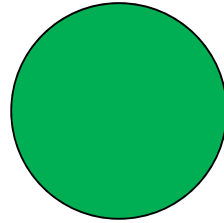
F

F

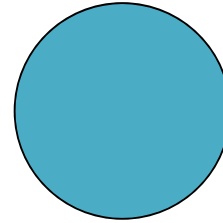
BRAKE TEST A



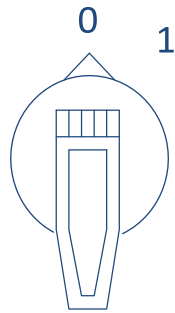
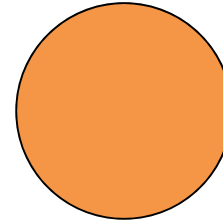
BRAKE TEST B



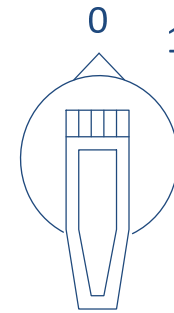
REGULATOR LOCK



REGULATOR RELEASE



BRAKE TEST



REGULATOR TEST

Note: Please label the brake test box as an example !

